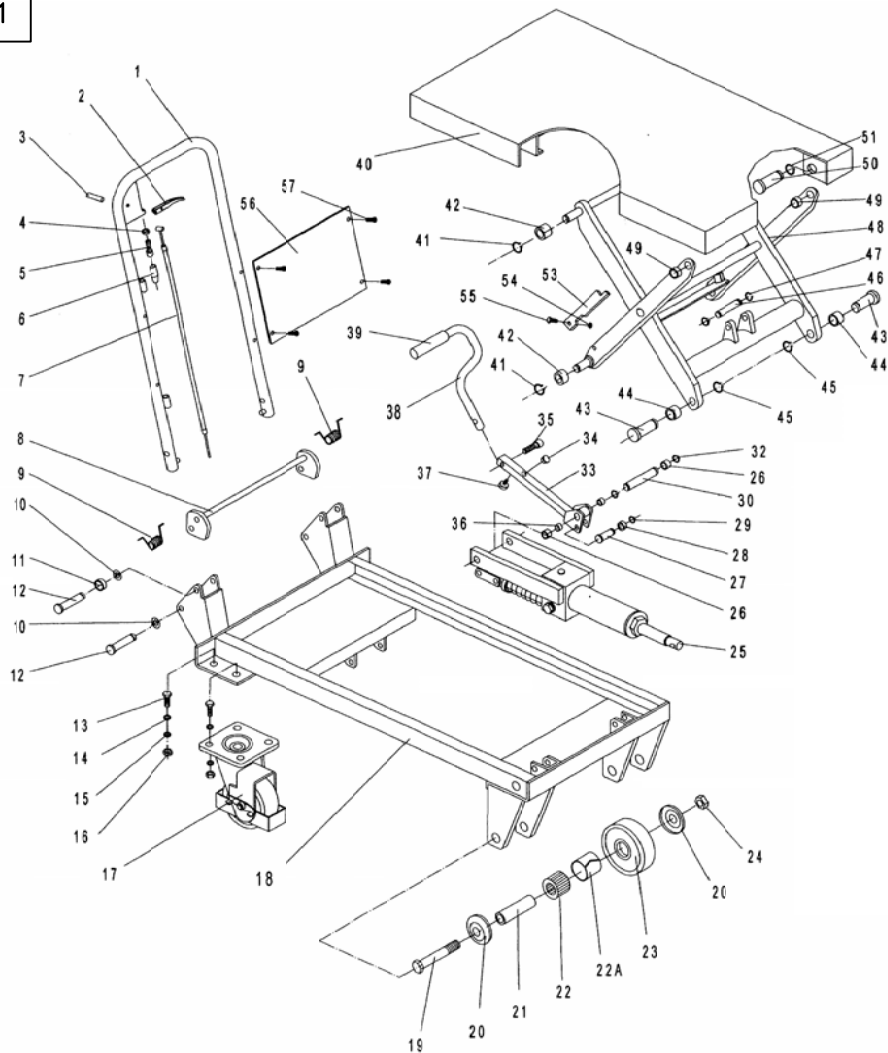


260201



| REPLACEMENT PARTS LIST |            |                 |      |
|------------------------|------------|-----------------|------|
| ITEM                   | PART NO.   | DESCRIPTION     | QTY. |
| 1                      | 260277     | HANDLE GRIP     | 1    |
| 2                      |            | CONTROL HANDLE  | 1    |
| 3                      | KIT:       | ELASTIC PIN     | 1    |
| 4                      | HANDLE     | NUT             | 1    |
| 5                      | RELEASE    | BOLT WITH HOLE  | 1    |
| 6                      | ASSEMBLY   | JACKET          | 1    |
| 7                      | 260250     | PULL LINE       | 1    |
| 8                      |            | LONG SHAFT      | 1    |
| 9                      |            | SPRING          | 2    |
| 10                     |            | RETAINING RING  | 3    |
| 11                     |            | WASHER          | 2    |
| 12                     |            | PIN             | 4    |
| 13                     |            | BOLT            | 8    |
| 14                     |            | WASHER          | 8    |
| 15                     |            | ELASTIC WASHER  | 8    |
| 16                     |            | NUT             | 8    |
| 17                     | 273636     | UNIVERSAL WHEEL | 2    |
| 18                     |            | FRAME           | 1    |
| 19                     |            | BOLT            | 2    |
| 20                     | KIT: FRONT | WASHER          | 4    |
| 21                     | WHEEL      | AXLE            | 2    |
| 22/22A                 | ASSEMBLY   | BEARING         | 4    |
| 23                     | 273637     | WHEEL           | 2    |
| 24                     |            | NUT             | 2    |
| 25                     |            | PUMP UNIT       | 1    |
| 26                     |            | WASHER          | 2    |
| 27                     |            | PIN             | 1    |
| 28                     |            | WASHER          | 1    |

| REPLACEMENT PARTS LIST |          |                  |      |
|------------------------|----------|------------------|------|
| ITEM                   | PART NO. | DESCRIPTION      | QTY. |
| 29                     |          | RETAINING RING   | 1    |
| 30                     |          | PIN              | 1    |
| 31                     |          |                  |      |
| 32                     |          | RETAINING RING   | 2    |
| 33                     |          | CONNECTING       | 1    |
| 34                     |          | CUSHION          | 1    |
| 35                     |          | BOLT             | 1    |
| 36                     |          | BUSHING          | 2    |
| 37                     |          | CUSHION          | 1    |
| 38                     |          | PEDAL BAR        | 1    |
| 39                     |          | PROTECTING COVER | 1    |
| 40                     |          | TABLE            | 1    |
| 41                     |          | RETAINING RING   | 4    |
| 42                     |          | ROLLER           | 4    |
| 43                     |          | PIN              | 2    |
| 44                     |          | BUSHING          | 2    |
| 45                     |          | RETAINING RING   | 2    |
| 46                     |          | PIN              | 1    |
| 47                     |          | RETAINING RING   | 2    |
| 48                     |          | FORK ARM         | 1    |
| 49                     |          | BUSHING          | 2    |
| 50                     |          | PIN              | 2    |
| 51                     |          | RETAINING RING   | 2    |
| 52                     |          | ELASTIC PIN      | 2    |
| 53                     |          | SUPPORT PLANK    | 2    |
| 54                     |          | SCREW            | 2    |
| 55                     |          | NUT              | 2    |

**LIGHT DUTY SCISSOR LIFT TABLES**

- Chrome plated handle and foot pedal.
- Lever release handle.
- 4" x 1" moldon polyurethane wheels with locking swivel casters.
- Folding handle lays flat on table top.
- Foot operated pump.

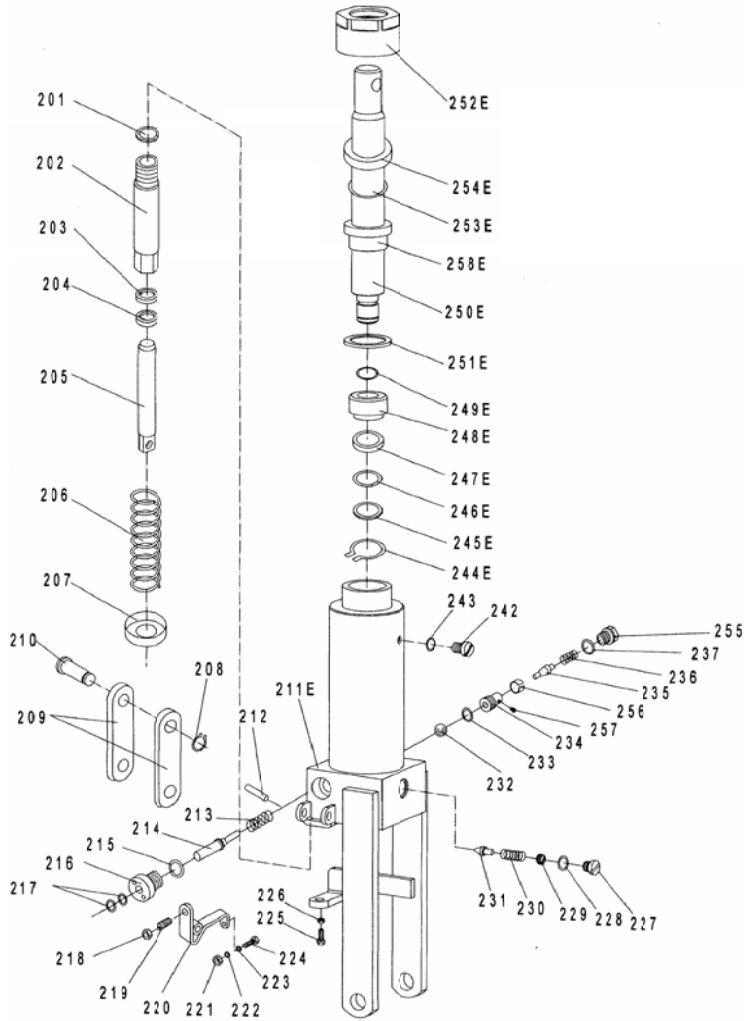
P/N **260201**

Model: LT-330SL  
 Capacity: 330 lbs  
 Raised Height: 28.5"  
 Lowered Height: 8.5"  
 Weight: 98 lbs  
 Table Size: 27.5" x 17.75"  
 Table Thickness: .07"  
 Overall Height: 37"  
 Overall Depth: 36"  
 Overall Width: 17.75"

PRINT ISSUED  
 DEC 1, 2006  
 WESCO MANUFACTURING  
 ENGINEERING DEPARTMENT

|  |  |                 |                          |  |
|--|--|-----------------|--------------------------|--|
| REV. ECU # DATE REVISIONS                  | <b>WESCO INDUSTRIAL PRODUCTS INC.</b>    |                 | NORTH WALES PENNA. 19454 |  |
|  | PART NAME                                |                 | DRAWN: KL 11-22-06       |  |
|  | LT-330SL<br>SCISSOR LIFT TABLE           |                 | CHECKED:                 |  |
|  | TOLERANCE UNLESS OTHERWISE SPECIFIED     |                 | APP. ENGR.               |  |
|  | FRACTION 3 PLACE DECIMAL 2 PLACE DECIMAL |                 | SCALE:                   |  |
| ± 1/64 ± .005 ± .01                        |  |                 |                          |  |
| ANGULAR ± 1-1/2"                           |  | SHEET 1 OF 2    |                          |  |
| BREAK ALL SHARP EDGES AND REMOVE ALL BURRS |  | <b>D-260201</b> |                          |  |

260201



REPLACEMENT PARTS LIST

| ITEM | PART NO. | DESCRIPTION               | QTY. |
|------|----------|---------------------------|------|
|      | 260254   | COMPLETE REPLACEMENT PUMP | 1    |
| 201  |          | SEAL WASHER               | 1    |
| 202  |          | PUMP CYLINDER             | 1    |
| 203  |          | DUST RING                 | 1    |
| 204  |          | Y-SEAL                    | 1    |
| 205  |          | PUMP PISTON               | 1    |
| 206  |          | SPRING                    | 1    |
| 207  |          | SPRING CAP                | 1    |
| 208  |          | RETAINING RING            | 1    |
| 209  |          | JOINT PLATE               | 2    |
| 210  |          | PIN                       | 1    |
| 211E |          | PUMP BODY                 | 1    |
| 212  |          | ELASTIC PIN               | 1    |
| 213  |          | SPRING                    | 1    |
| 214  |          | STRIKE PIN                | 1    |
| 215  |          | SEAL WASHER               | 1    |
| 216  |          | AXLE SLEEVE               | 1    |
| 217  |          | O-RING                    | 2    |
| 218  |          | NUT                       | 1    |
| 219  |          | SCREW                     | 1    |
| 220  |          | LEVER PLATE               | 1    |
| 221  |          | NUT                       | 1    |
| 222  |          | ELASTIC WASHER            | 1    |
| 223  |          | WASHER                    | 1    |
| 224  |          | BOLT WITH HOLE            | 1    |
| 225  |          | BOLT WITH HOLE            | 1    |
| 226  |          | NUT                       | 1    |
| 227  |          | PLUG                      | 1    |
| 228  |          | O-RING                    | 1    |
| 229  |          | ADJUSTING BOLT            | 1    |

REPLACEMENT PARTS LIST

| ITEM | PART NO. | DESCRIPTION              | QTY. |
|------|----------|--------------------------|------|
| 230  |          | SPRING                   | 1    |
| 231  |          | SPINDLE OF SAFETY VALVE  | 1    |
| 232  |          | STEEL BALL               | 1    |
| 233  |          | O-RING                   | 1    |
| 234  |          | SEAT OF PUMPING VALVE    | 1    |
| 235  |          | SPINDLE OF PUMPING VALVE | 1    |
| 236  |          | SPRING                   | 1    |
| 237  |          | SEAL WASHER              | 1    |
| 238  |          |                          |      |
| 239  |          |                          |      |
| 240  |          |                          |      |
| 241  |          |                          |      |
| 242  |          | BOLT                     | 1    |
| 243  |          | SEAL WASHER              | 1    |
| 244E |          | RETAINING RING           | 1    |
| 245E |          | WASHER                   | 1    |
| 246E |          | O-RING                   | 1    |
| 247E |          | CUP PACKING              | 1    |
| 248E |          | PISTON                   | 1    |
| 249E |          | O-RING                   | 1    |
| 250E |          | PISTON ROD               | 1    |
| 251E |          | SEAL WASHER              | 1    |
| 252E |          | CYLINDER CAP             | 1    |
| 253E |          | O-RING                   | 1    |
| 254E |          | DUST RING                | 1    |
| 255  |          | PLUG                     | 1    |
| 256  |          | LIQUID THROTTLE SHEATH   | 1    |
| 257  |          | BOLT                     | 1    |
| 258E |          | SLEEVE                   | 1    |

PRINT ISSUED

DEC 1, 2006

WESCO MANUFACTURING  
ENGINEERING DEPARTMENT

REV. APP. ECH & DATE REVISIONS

WESCO INDUSTRIAL PRODUCTS INC.  
NORTH WALES PENNA. 19454

|  |                 |                    |              |                    |  |
|--|-----------------|--------------------|--------------|--------------------|--|
| PART NAME                                  |                 | LT-330SL           |              | DRAWN: KL 11-22-06 |  |
|  |                 | SCISSOR LIFT TABLE |              | CHECKED:           |  |
|  |                 |                    |              | APP. ENGR.         |  |
| TOLERANCE UNLESS OTHERWISE SPECIFIED       |                 |                    |              |                    |  |
| FRACTION                                   | 3 PLACE DECIMAL | 2 PLACE DECIMAL    | SCALE:       |                    |  |
| ± 1/64                                     | ± .005          | ± .01              |              |                    |  |
| ANGULAR ± 1-1/2'                           | SHEET 2         | OF 2               | D-260201 REV |                    |  |
| BREAK ALL SHARP EDGES AND REMOVE ALL BURRS |                 |                    |              |                    |  |